

DT-329 LED LINEAR STROBOSCOPE

The NEW SHIMPO DT-329 Linear Stroboscope Employs High Brightness LED Technology.

No other Strobe on the market displays a crisper, clearer image while inspecting high speed printing than the Shimpo DT-329 LED Strobe Light. Even at ultra high rates (120,000 FPM), the service life this stroboscope is 5 times greater than traditional xenon flash tube technology. LED strobe inspection produces outstanding high brightnesses to display the image on a high speed moving web as if it were standing still.



The DT-329 Stroboscope is ideal for narrow and wide web printing because it is easy to mount and includes simple operator thumbwheel controls, phase shifting (flash advance/delay in degrees & mSec), LCD back-lit display, internal/external flash control and simple machine speed synchronization for automatic proportional image display.

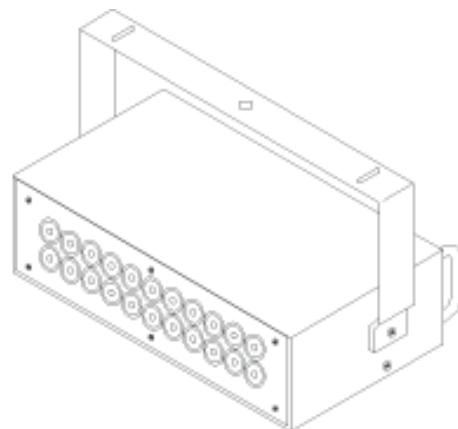
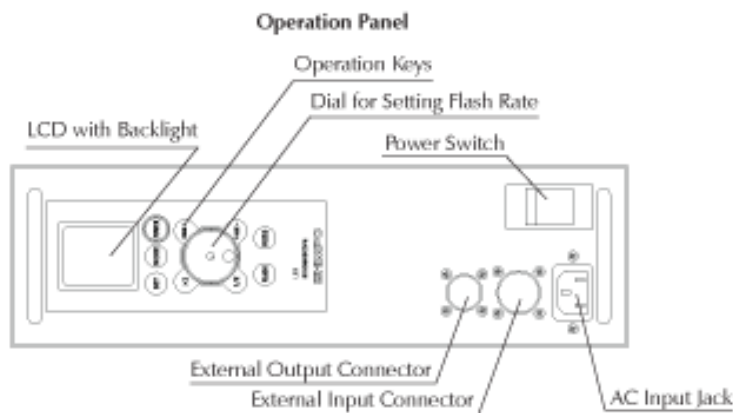
FEATURE:-

High Flash Rate: 60 - 120,000 FPM (1-2000Hz)

High Brightness: 1,950 lux at 120,000FPM @ 7.87in (20cm) to target

Large "Illuminated" Area: 23.62 in x 15.75 in (600mm x 400mm)

Simple Flash Setting: Fast control by dial, push button or external trigger



AAA Press International, Inc.

3160 N. Kennicott Avenue ■ Arlington Heights, IL60004 ■ <http://www.aaapress.com> ■ info@aaapress.com
US & CAN Phone 800.678.7222 Fax 800.678.7983 ■ INT. Phone 847.818.1100 Fax 847.818.0071

DT-329 STROBOSCOPE SPECIFICATIONS

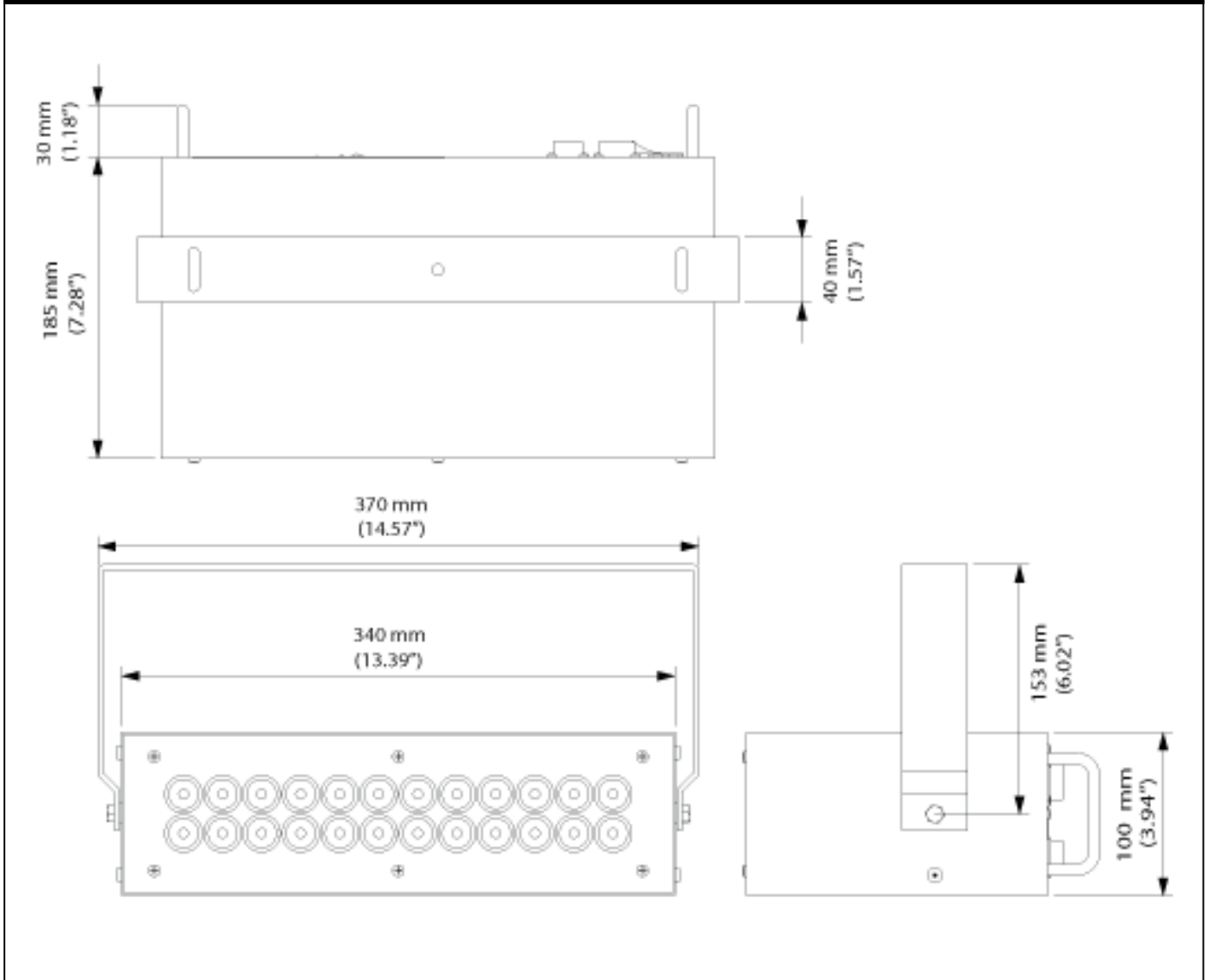
Unit	FPM (Flashes Per Minute), Hz			
Flash Rate Range	High Range	60 – 120,000 FPM, 1 – 2,000Hz		
	Low Range	60 – 12,000 FPM, 1 – 200Hz		
Flash Rate Accuracy	0.02 % ± 1 digit at 77° F			
Flash Setting Resolution	Unit FPM	High Range	1 FPM	60 – 30,000 FPM
			2 FPM	30,002 – 60,000 FPM
			5 FPM	60,005 – 100,000 FPM
			10 FPM	100,010 – 120,000 FPM
	Low Range	0.1 FPM	60.0 – 3,000.0 FPM	
		0.2 FPM	3,000.2 – 6,000.0 FPM	
		0.5 FPM	6,000.5 – 12,000.0 FPM	
	Unit Hz	High Range	0.1 Hz	0.1 - 2000 Hz
Low Range		0.01Hz	0.01 - 200 Hz	
Ratio (Flash Duty)	0.1 – 2.5° (/ 360) Setting of every 0.1°			
Light Source	High Brightness LEDs			
Flash Delay	Time	0 – 999 ms		
	Angle	0 – 359°		
Controls	Power, Multiply by 2, Divide by 2, Phase Shift±, Ratio, Mode Setting			
External Trigger Input	Photocoupler input 12mA/DC12V			
External Clock Output	Photocoupler Output 30mA/DC30V, Pulse width 200ms			
Light Power (Illumination/Brightness)	1,250 lux	6,000 FPM	7.87in (20cm)	
	700 lux		19.69in (50cm)	
	1,950 lux	120,000 FPM	7.87in (20cm)	
	860 lux		19.69in (50cm)	
Display	LCD with Backlight	Main Display: 6 characters		
		Sub-display: Flash, Units, Battery, Settings		
Display Update	Continuous			
Power Supply	AC 100V – 240V 50/60Hz			
Weight	11lbs (5kg)			
Operating Temperature	32 - 95° F (0 - 30° C)			
Includes	AC cable, 1 Input Connector, 1 Output Connector, Manual, Warranty Card			
Warranty	2 Years			



AAA Press International, Inc.

3160 N. Kennicott Avenue ■ Arlington Heights, IL60004 ■ <http://www.aaapress.com> ■ info@aaapress.com
 US & CAN Phone 800.678.7222 Fax 800.678.7983 ■ INT. Phone 847.818.1100 Fax 847.818.0071

DT-329 STROBOSCOPE DIMENSIONS



 **AAA Press International, Inc.**

3160 N. Kennicott Avenue ■ Arlington Heights, IL60004 ■ <http://www.aaapress.com> ■ info@aaapress.com
US & CAN Phone 800.678.7222 Fax 800.678.7983 ■ INT. Phone 847.818.1100 Fax 847.818.0071