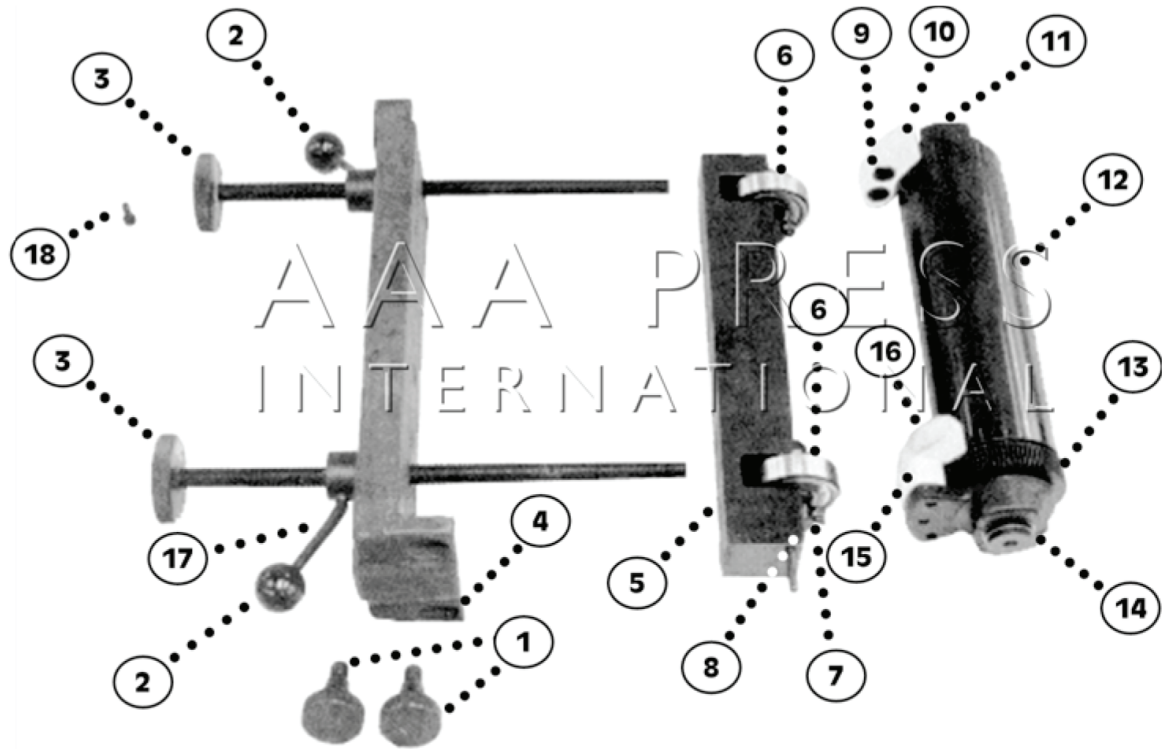


# Die Station for Webtron 650 & 750

## Die Station Assemblies



Reference #	Part #	Part Description
1	6916	Shoulder Screw (2 required per Station) - 650 & 750
2	90-4006	Knob - Only - 650 & 750
3	6921	Pressure Screw (2 required per Bridge) - 650 & 750
4	6917	Die Cut Bridge - 650
5	6962	Die Bearing Holder Only - 650
6	10-4002	Bearing - Pressure Roll Assembly (2 required per assy)
7	20-4405	Socket Head Cap Screw, 1/4-20 x 3/4" (4 required)
8	7048	Die Bearing Shaft (2 required per Die Bearing Holder)
9	23-4405	Flat Head Cap Screw, 1/4-20 x 3/4"
10	6944	Wiper (2 required per base roll - 650/ 3 required - 750)
11	A-6983	Wiper Bracket (2 required per Removable Base Roll)
12 A	6791	Removable Base Roll (650) 1/8-64T-2.546 - Die Station
12 B	6909	Removable Base Roll (650) 1/8-63T/ 32DP 2.505 - Die Station

Reference #	Part #	Part Description
13 A	9955	Removable Base Roll Gear (650) 1/8 C.P. 64T 20 P.A.
13 B	6792	Removable Base Roll Gear (650) 1/8 C.P. 64T 14 1/2 P.A.
13 C	9423	Removable Base Roll Gear (650) 1/8 C.P. 63T 20 P.A.
13 D	6352	Removable Base Roll Gear (650) 1/8 C.P. 63T 14 1/2 P.A.
13 E	6925	Removable Base Roll Gear (650) 32 DP 80 T 14 1/2 P.A.
13 I	6797	Removable Base Roll Gear (650) 1/16 C.P. 128T 14 1/2 P.A.
13 J	6363	Removable Base Roll Gear (650) 1/16 C.P. 126T 14 1/2 P.A.
14	44-4029	Snap-Ring (2 required per Removable Base Roll)
15	6934	Wiper Spacer (1 required per Removable Base Roll)
16	23-4408	Flat Head Cap Screw, 1/4-20 x 1 1/4"
17	6920	Lock Handle with Knob - 650/750 (2 required per station)
18	20-4405	Screw, 1/4-20 x 3/4" (4 required)

(Continued on the next page)

# Die Station for Webtron 650 & 750

## Die Station Assemblies (Continued from previous page)

Part #	Part Description
8256	.020 Oversized Removable Base Roll (650) 1/8-63T 32DP (650) - Sheeter 2.5205"
9418	.020 Oversized Removable Base Roll (650) 1/8-64T (650) - Sheeter Station 2.5665"
301-0155	.020 Oversized Removable Base Roll (750) 1/8-64T (750) - Sheeter Station 2.5635"
301-0156	Removable Base Roll (750) 1/8- 64T-2.546 (750) - Die Station 2.5435"
302-0156	Removable Base Roll (750) 1/8-63T/ 32DP 2.500 - Die Station 2.5035"

Part #	Part Description
302-0155	.020 Oversized Removable Base Roll (750) 1/8-63T/32DP - Sheeter 2.5205"
201-0172	Die Bearing Holder Only (750)
301-0109	Die Cut Bridge (750)
A-6960	Pressure Assembly (650)
A-201-0181	Pressure Assembly (750)

## Removable Base Roll Assemblies - Webtron 650

Each Assembly is complete with Gear, Sprockets, Brackets, Bearings, and Screws

Part #	Part Description
A-9774	"A" Removable Base Roll Assembly - 1/8 64T 20 P.A. - Die Station 2.5435"
A-9116	"A" .020 Oversized RBR Assembly - 1/8CP 64T 20 P.A. - Sheeter 2.5665"
A-8930	"B" Removable Base Roll Assembly - 1/8CP 64T 14.5 P.A. - Die Station 2.5435"
A-9114	"B" .020 Oversized RBR Assembly - 1/8CP 64T 14.5 P.A. - Sheeter 2.5435"
A-6822	"C" Removable Base Roll Assembly - 1/8CP 63T 20 P.A. - Die Station 2.5005"

Part #	Part Description
A-9115	"C" .020 Oversized RBR Assembly - 1/8CP 63T 20 P.A. - Sheeter 2.5205"
A-6821	"D" Removable Base Roll Assembly - 1/8CP 63T 14.5 P.A. - Die Station 2.5005"
A-6968	"E" Removable Base Roll Assembly - 32DP 80T 14.5 P.A. - Die Station 2.5005"
A-9110	"E" .020 Oversized RBR Assembly - 32DP 80T 14.5 P.A. - Sheeter 2.5205"

## Removable Base Roll Assemblies - Webtron 750

Each Assembly is complete with Gear, Sprockets, Brackets, Bearings, and Screws

Part #	Part Description
A-301-0110	"A" Removable Base Roll Assembly - 1/8 64T 20 P.A. - Die Station 2.5435"
A-301-0114	"A" .020 Oversized RBR Assembly - 1/8CP 64T 20 P.A. - Sheeter 2.5635"
A-313-0110	"B" Removable Base Roll Assembly - 1/8CP 64T 14.5 P.A. - Die Station 2.5435"
A-304-0114	"B" .020 Oversized RBR Assembly - 1/8CP 64T 14.5 P.A. - Sheeter 2.5635"
A-302-0110	"C" Removable Base Roll Assembly - 1/8CP 63T 20 P.A. - Die Station 2.5035"

Part #	Part Description
A-302-0114	"C" .020 Oversized RBR Assembly - 1/8CP 63T 20 P.A. - Sheeter 2.5235"
A-305-0110	"D" Removable Base Roll Assembly - 1/8CP 63T 14.5 P.A. - Die Station 2.5035"
A-305-0114	"D" .020 Oversized RBR Assembly - 1/8CP 63T 14.5 P.A. - Sheeter 2.5235"
A-303-0110	"E" Removable Base Roll Assembly - 32DP 80T 14.5 P.A. - Die Station 2.5035"
A-303-0114	"E" .020 Oversized RBR Assembly - 32DP 80T 14.5 P.A. - Sheeter 2.5235"



# Die Station for Webtron 650 & 750

## Removable Base Roll Gears

Part #	Part Description
9955	"A" Removable Base Roll Gear 1/8CP - 64T 20 P.A. - Die Station
9109	"A" .020 Oversized RBR Gear 1/8CP - 64T 20 P.A. - Sheeter Station
6792	"B" Removable Base Roll Gear 1/8CP - 64T 14.5 P.A. - Die Station
9107	"B" .020 Oversized RBR Gear 1/8CP - 64T 14.5 P.A. - Sheeter Station
9423	"C" Removable Base Roll Gear 1/8CP - 63T 14.5 P.A. - Die Station
9108	"C" .020 Oversized RBR Gear 1/8CP - 63T 14.5 P.A. - Sheeter Station

Part #	Part Description
6352	"D" Removable Base Roll Gear 1/8CP - 63T 14.5 P.A. - Die Station
9106	"D" .020 Oversized RBR Gear 1/8CP - 63T 14.5 P.A. - Sheeter Station
6925	"E" Removable Base Roll Gear 80T 32DP 14.5 P.A. - Die Station
9103	"E" .020 Oversized RBR Gear 32DP 14.5 P.A. - Sheeter Station
6363	"J" Removable Base Roll Gear 1/16 126T 14.5 P.A. - Die Station

## Adapter Base Rolls - Webtron 650 & 750

Part #	Part Description
302-0142	650 Adapter Base Roll 1/8-64T - Die Station

Part #	Part Description
301-0142	650 Adapter Base Roll 1/8-63T/32DP - Die Station

## Adapter Base Roll Assemblies

Part #	Part Description
A-812-2044	"A" 650-750 Removable Base Roll Assy 1/8CP 64T 20 PA. - Die Station
A-812-2008	"C" 650-750 Removable Base Roll Assy 1/8CP 63T 14.5 - Die Station

Part #	Part Description
A-812-2009	"E" 650-750 Removable Base Roll Assy 32DP 80T 14.5 - Die Station

## Adapter Base Roll Gears

Part #	Part Description
301-0165	750-650 Die Adapter Gear with Hub - Die Station
301-0143	"A" Adapter Base Roll Gear 1/8CP - 64T 20 P.A. - Die Station
305-0143	"B" Adapter Base Roll Gear 1/8CP - 64T 14.5 P.A. - Die Station

Part #	Part Description
302-0143	"C" Adapter Base Roll Gear 1/8CP - 63T 20 P.A. - Die Station
307-0143	"D" Adapter Base Roll Gear 1/8CP - 63T 14.5 P.A. - Die Station
303-0143	"E" Adapter Base Roll Gear 32DP 14.5 P.A. - Die Station

## Bearing Blocks and Bearings

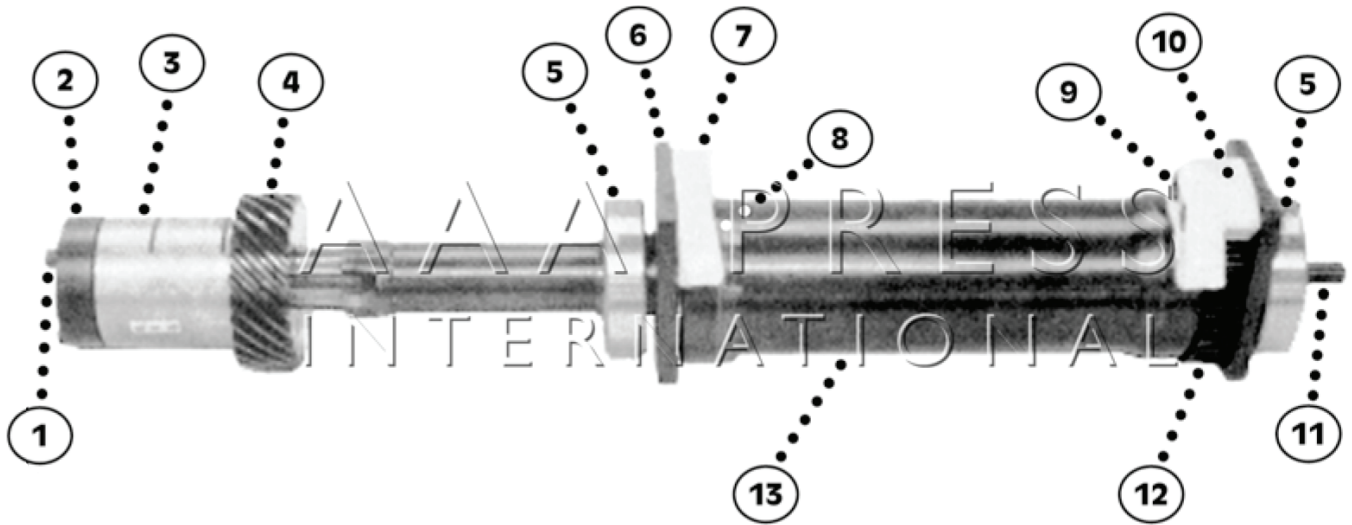
Part #	Part Description
9553	Bearing Block with 3/4" Bearing - Dies - Webtron 650/750
11-4015	3/4" Needle Bearing
11-4017	Needle Bearing - Bearing Block

Part #	Part Description
A-6973	7/8" Bearing Block with Bearing - Dies - Webtron 650/750 (2 required per die/lam roll)
A-6983	R.B.R. Bearing Block with Bearing - Webtron 650/750 (2 required per RBR)



# Die Station for Webtron 650 & 750

## Lower Base Roll



Reference #	Part #	Part Description
1	20-4037	Socket Head Cap Screw 10-24 x 1 (4 required per gear)
2	6933	Brass Splined Hub Cover (1 required per LBR)
3	6932	Brass Splined Hub (1 required per LBR)
4	6928	Register Adjust Gear - 650/750 (1 required per LBR)
5	10-4004	Bearing (3 required per LBR)
6	7966	Wiper Bracket (2 required per LBR Assembly)
7	6944	Felt Die Wiper (2 required Webtron 650 & 3 required Webtron 750)
8	23-4405	Flat Head Cap Screw - 1/4-20 x 3/4"
9	23-4408	Flat Head Cap Screw - 1/4-20 x 1-1/4"
10	6934	Wiper Spacer (1 required Webtron 650 (2 required Webtron 750)

Reference #	Part #	Part Description
11 A	6922	Register Adjust Rod - Webtron 650
11 B	101-0111	Register Adjust Rod - Webtron 750
12 A	9954	"A" Lower Base Roll Gear - 1/8CP 64T 20 P.A.
12 B	6788	"B" Lower Base Roll Gear - 1/8CP 64T 14.5 P.A.
12 C	9422	"C" Lower Base Roll Gear 1/8CP 63T 20 P.A.
12 D	6351	"D" Lower Base Roll Gear 1/8CP 63T 14.5 P.A.
12 E	6924	"E" Lower Base Roll Gear 32DP 80T 14.5 P.A.
12 I	6798	"I" Lower Base Roll Gear 1/16CP 128T 14.5 P.A.
12 J	6362	"J" Lower Base Roll Gear 1/16CP 126T 14.5 P.A.

### Lower Base Roll Webtron 650

Reference #	Part #	Part Description
13 A	6787	Lower Base Roll 1/8CP 64T 2.5465 "A", "B", "I" Gearing
13 B	6908	Lower Base Roll 1/8CP 63T 32DP 2.5005 "C", "D", "E" Gearing

### Lower Base Roll Webtron 750

Part #	Part Description
301-0420	Lower Base Roll 1/8CP 64T 2.5435 "A", "B", "I" Gearing
301-0161	Lower Base Roll 1/8CP 63T 32DP 2.5035 "C", "D", "E" Gearing Miguel Angel Ruiz

# Die Station for Webtron 650 & 750

## Lower Base Roll

### Lower Base Roll Assemblies Webtron 650

Each Assembly is complete with Gear, Sprockets, Brackets, Bearings, and Screws

Part #	Part Description
A-6787	"A" Lower Base Roll Assembly 1/8CP 64T 20 P.A.
A-6908	"E" Lower Base Roll Assembly 32DP 80T 14.5 P.A.
A-6908-C	"C" Lower Base Roll Assembly 1/8-63T 20 P.A.

### Lower Base Roll Assemblies Webtron 750

Each Assembly is complete with Gear, Sprockets, Brackets, Bearings, and Screws

Part #	Part Description
A-301-0420	"A" Lower Base Roll Assembly 1/8CP 64T 20 P.A.
A-301-0161	"E" Lower Base Roll Assembly 32DP 80T 14.5 P.A.
A-301-0421	"C" Lower Base Roll Assembly 1/8-63T 20 P.A.

### Lower Base Roll Components

Part #	Part Description
10-4004	Bearing - Lower Base Roll (3 required)
20-4405	SHCS - 1/4 - 20 x 3/4" - Webtron 650 (2 required)
23-4405	FHCS - 1/4 - 20 x 3/4" - Webtron 650 (2 required)
20-4409	SHCS - 1/4 - 20 x 1-1/2" - Webtron 750 (4 required)
23-4408	FHCS - 1/4 - 20 x 1-1/4" - Webtron 650 (4 required)
23-4409	FNCS - 1/4 - 20 x 2-1/2" - Webtron 750 (2 required)
91253A548	FHCS - 1/4 - 20 x 1-3/4" - Webtron 750 (2 required)
6934	Wiper Spacer (1 required Webtron 650 & 2 required Webtron 750)
6944	Felt Die Wipers (2 required Webtron 650 & 5 required Webtron 750)
7966	Wiper Bracket - Lower Base Roll (2 required)
7966-B	Wiper Bracket Bushing only (must be machined)

